



## COURSE OF FIRE OPTION E

POCKET GLOCKS (Does not qualify for 500 Club) **\*\*250 CLUB COMING SOON\*\***

Competitor faces NRA "D1" paper targets at distances of 9, 15, 25, 30 and 50 feet OR 3, 5, 7, 10, and 15 yards, with firing timed as follows:

D-1                      5 rounds                      9 feet **OR** 3 yards                      15 seconds

D-1                      5 rounds                      15 feet **OR** 5 yards                      15 seconds

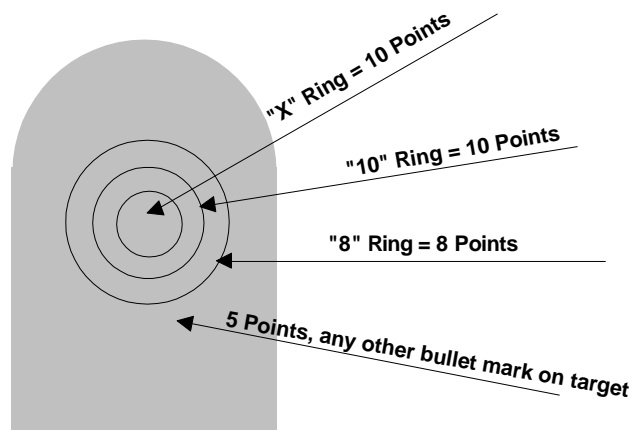
### CHANGE TARGETS NOW

D-1                      5 rounds                      25 feet **OR** 7 yards                      15 seconds

D-1                      5 rounds                      30 feet **OR** 10 yards                      15 seconds

D-1                      5 rounds                      50 feet **OR** 15 yards                      15 seconds

## SCORING TARGET



THERE IS NO PENALTY FOR MISSES OR UNFIRED SHOTS.



**COURSE OF FIRE OPTION B  
FOR BEGINNER SHOOTERS OR FOR SHORT RANGES**

Competitor faces NRA "D1" paper targets at distances of 9, 15, 25, 30 and 50 feet with firing timed as follows:

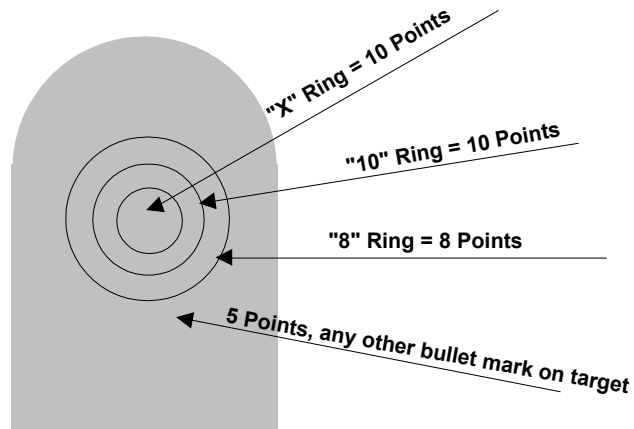
**\*\*NOT 500 CLUB qualifying course of fire\*\* - NO 25 Yard Line COF**

D-1	10 rounds	9 feet	15 seconds
D-1	10 rounds	15 feet	15 seconds

**CHANGE TARGETS NOW**

D-1	10 rounds	25 feet	15 seconds
D-1	10 rounds	30 feet	15 seconds
D-1	10 rounds	50 feet	15 seconds

**SCORING TARGET**



**THERE IS NO PENALTY FOR MISSES OR UNFIRED SHOTS.**